

# Technical data sheet

Product features



## Oven electric GN static

<b>Model</b>	<b>SAP Code</b>	00013597
--------------	-----------------	----------



– Device type: Electric unit

<b>SAP Code</b>	00013597	<b>Power electric [kW]</b>	5.000
<b>Net Width [mm]</b>	800	<b>Loading</b>	400 V / 3N - 50 Hz
<b>Net Depth [mm]</b>	690	<b>Width of internal part [mm]</b>	670
<b>Net Height [mm]</b>	480	<b>Depth of internal part [mm]</b>	550
<b>Net Weight [kg]</b>	32.00	<b>Height of internal part [mm]</b>	340

# Technical data sheet

Technical drawing

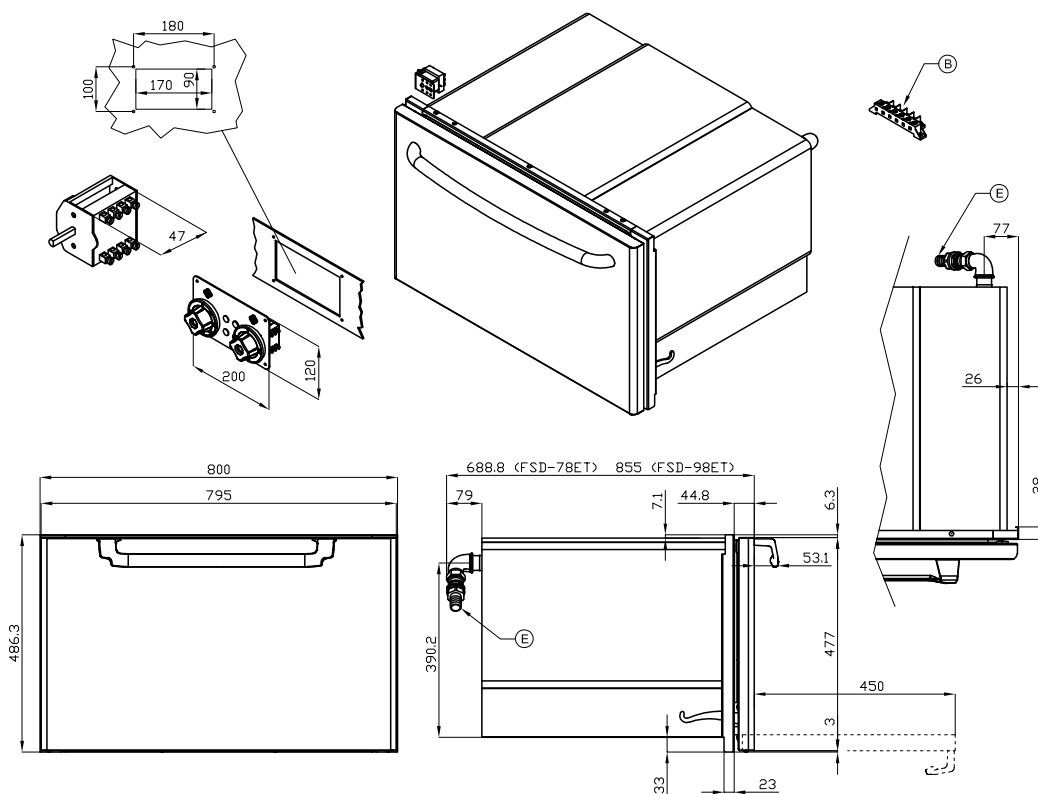


## Oven electric GN static

Model

SAP Code

00013597



A	Data plate		B	Electrical connection	
E	Water drainage	Ø25mm			

# Technical data sheet

Technical parameters



## Oven electric GN static

**Model**

**SAP Code**

00013597

**1. SAP Code:**

00013597

**2. Net Width [mm]:**

800

**3. Net Depth [mm]:**

690

**4. Net Height [mm]:**

480

**5. Net Weight [kg]:**

32.00

**6. Gross Width [mm]:**

830

**7. Gross depth [mm]:**

770

**8. Gross Height [mm]:**

770

**9. Gross Weight [kg]:**

40.00

**10. Device type:**

Electric unit

**11. Construction type of device:**

Drop-in

**12. Power electric [kW]:**

5.000

**13. Loading:**

400 V / 3N - 50 Hz

**14. Device heating type:**

Static baking

**15. Maximum device temperature [°C]:**

300

**16. Minimum device temperature [°C]:**

50

**17. Power control type:**

knob control

**18. Additional information:**

grate: 650 x 530 GN2/1

**19. Oven Type:**

electrical static

**20. Oven size:**

GN 2/1

**21. Width of internal part [mm]:**

670

**22. Depth of internal part [mm]:**

550

**23. Height of internal part [mm]:**

340